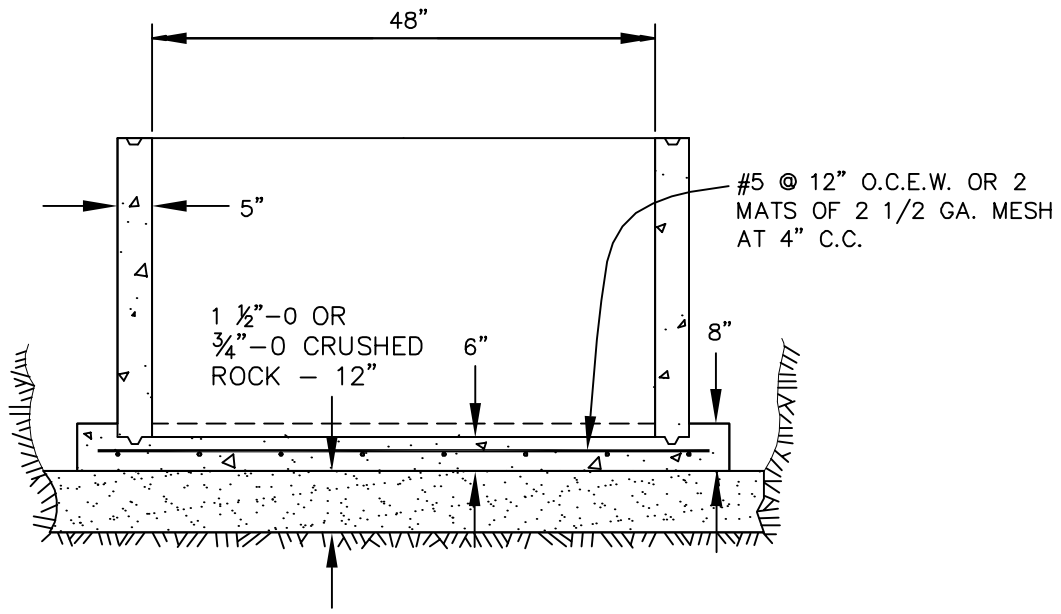
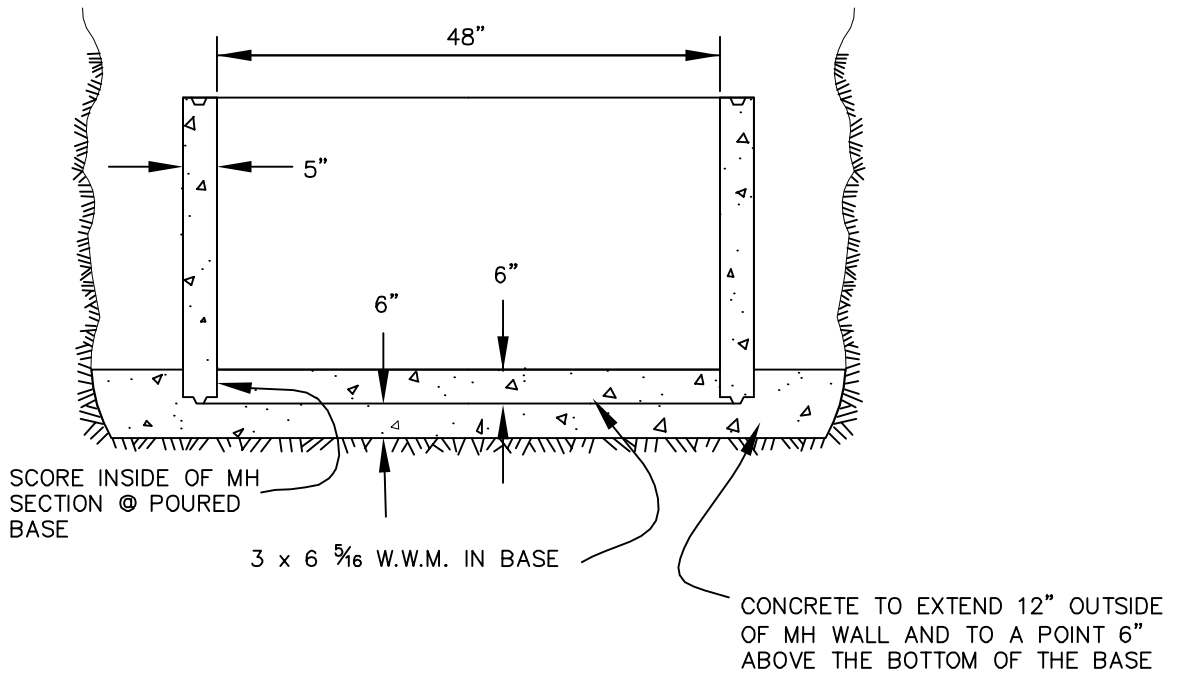


S:\Engineering\Traffic\TRAFFIC\Projects\Current\Projects\RoadwayStandards\TAR Standard drawings\Standard Drawings Revised 1.1.10\dwgs\ U200-800.dwg



**NOTES**

1. SPECIFICATIONS FOR CONCRETE AND MISCELLANEOUS MATERIALS USED IN CONSTRUCTION SHALL CONFORM TO CURRENT ODOT/APWA STANDARD SPECIFICATIONS.

REVISION	DATE	BY

DEPARTMENT OF TRANSPORTATION  
AND DEVELOPMENT  
150 BEAVERCREEK ROAD  
OREGON CITY, OR 97045



APPROVAL DATE: 1/1/10

SCALE: N.T.S.

**PRECAST MANHOLE BASES**

STANDARD  
DRAWING

**U500**