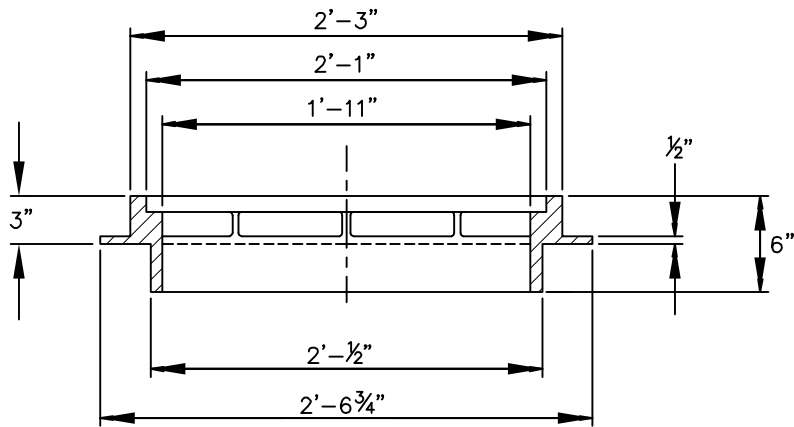
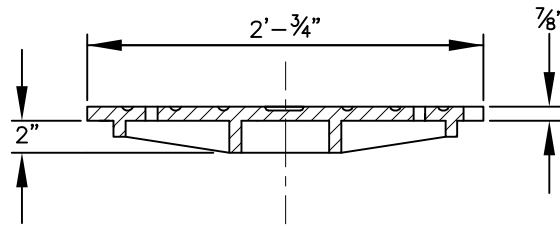
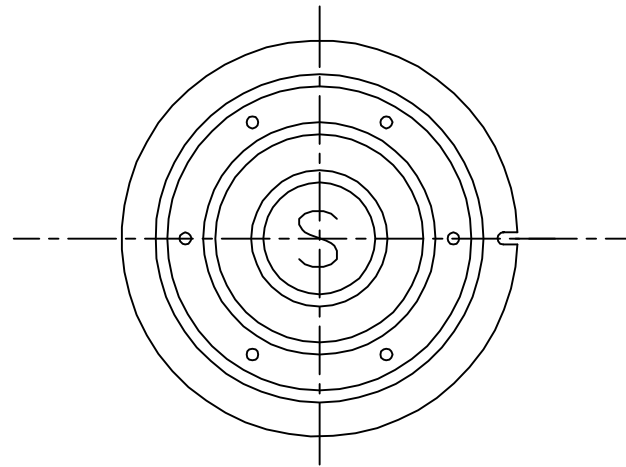


S:\Engineering\Traffic\Draft\Projects\Current\Projects\RoadwayStandards\TAR Standard drawings\Standard Drawings Revised 1.1.10\dwgs\ U200-800.dwg



**NOTES**

1. SUBURBAN FRAME & COVER CAN BE USED IN EASEMENTS AND SUBDIVISION STREETS EXCEPT COLLECTOR, ARTERIAL, AND INDUSTRIAL STREETS, OR AS NOTED ON CONSTRUCTION PLANS.

REVISION	DATE	BY

DEPARTMENT OF TRANSPORTATION  
AND DEVELOPMENT  
150 BEAVERCREEK ROAD  
OREGON CITY, OR 97045



APPROVAL DATE: 1/1/10

SCALE: N.T.S.

**SUBURBAN MANHOLE  
FRAME AND COVER**

STANDARD  
DRAWING

**U700**