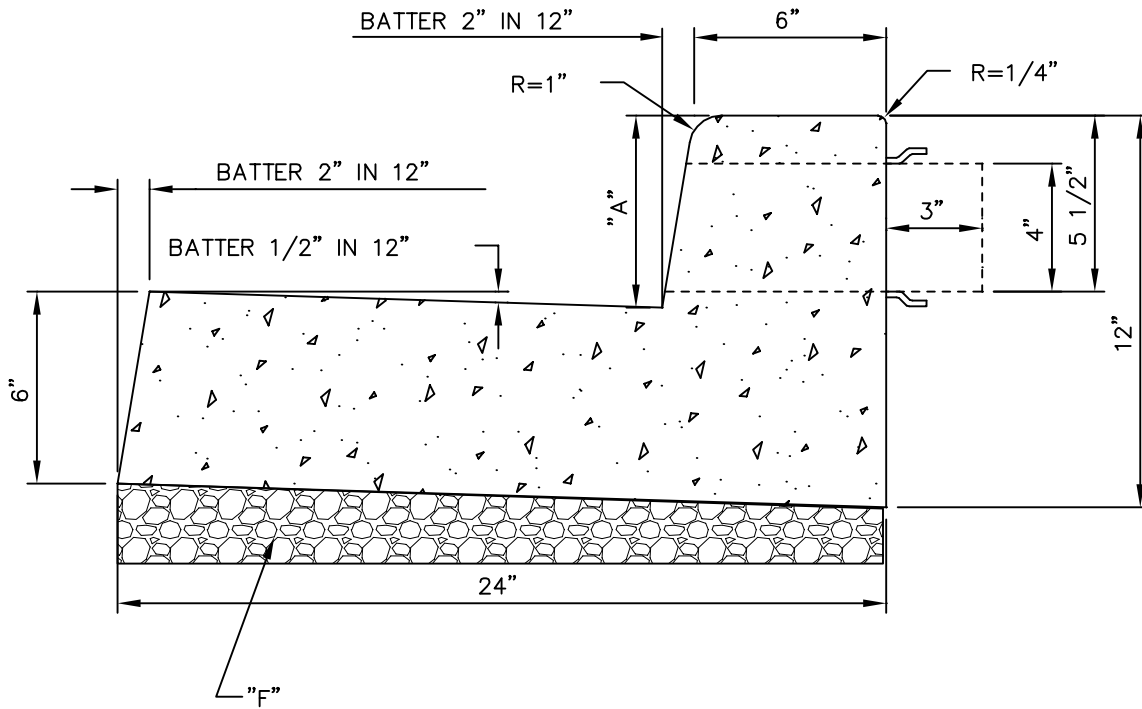


S:\Engineering\Traffic\Projects\Current\Projects\RoadwayStandards\RoadwayStandards\Standard Drawings\Standard Drawings Revised S100-S960.dwg



NOTES

1. SPECIFICATIONS FOR CONCRETE AND MISCELLANEOUS MATERIALS USED IN CONSTRUCTION SHALL CONFORM TO CURRENT ODOT/APWA STANDARD SPECIFICATIONS.
2. CONCRETE SHALL HAVE A MINIMUM COMPRESSIVE STRENGTH OF 3300 PSI IN 28 DAYS, 2" TO 4" SLUMP.
3. 4" PLASTIC PIPE SHALL HAVE A BELL OR A 3" EXTENSION, FOR FUTURE HOOK-UP.
4. EXPANSION JOINTS, MAX. 45' SPACING AND AT BEGINNING AND END OF CURVES OR AS DIRECTED.
5. CONTRACTION JOINTS, MAX. 15' SPACING AND AT LOCATIONS AS DIRECTED.
6. SEE NOTES ON DETAIL S100.

REVISION	DATE	BY

DEPARTMENT OF TRANSPORTATION
AND DEVELOPMENT
150 BEAVERCREEK ROAD
OREGON CITY, OR 97045



APPROVAL DATE: 1/1/10

SCALE: N.T.S.

STANDARD CURB AND GUTTER

STANDARD
DRAWING

S150