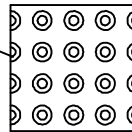
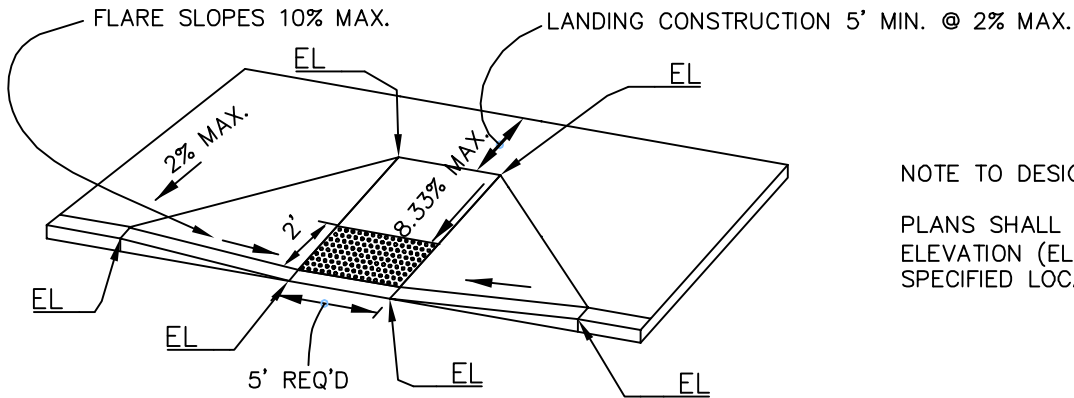


COMBINATION RAMP DETAIL
 USE COMBINATION RAMP DETAIL IF
 12:1 MAX. RAMP SLOPE CAN NOT
 BE CONSTRUCTED



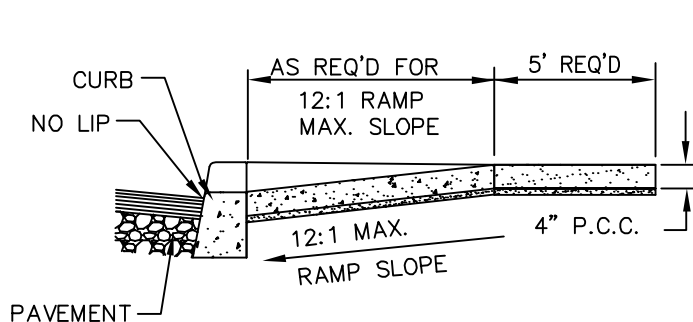
**RAMP TEXTURE PATTERN
 (TRUNCATED DOMES)
 DETAIL**



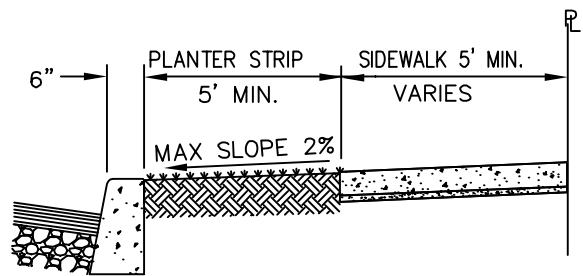
NOTE TO DESIGNER:
 PLANS SHALL PROVIDE
 ELEVATION (EL) AT EACH
 SPECIFIED LOCATION .

PERPENDICULAR SIDEWALK RAMP DETAIL

5' FLARE SLOPES AND 5' LANDINGS ARE REQUIRED UNLESS
 OTHERWISE APPROVED BY THE ENGINEERING DEPARTMENT.



CURB RAMP DETAIL A-A



SIDEWALK DETAIL B-B

NOTES

SEE DETAIL S960 FOR STANDARD DETAILS AND NOTES.

S:\Engineering\Roadway Standards\2010 Standards for Publish\Drawings\DWGs\ S100-S960.dwg

REVISION	DATE	BY

DEPARTMENT OF TRANSPORTATION
 AND DEVELOPMENT
 150 BEAVERCREEK ROAD
 OREGON CITY, OR 97045



APPROVAL DATE: 1/1/10

SCALE: N.T.S.

**DOUBLE PERPENDICULAR CURB RAMP ON
 STANDARD SIDEWALK WITH PLANTER STRIP**

STANDARD
 DRAWING

S910